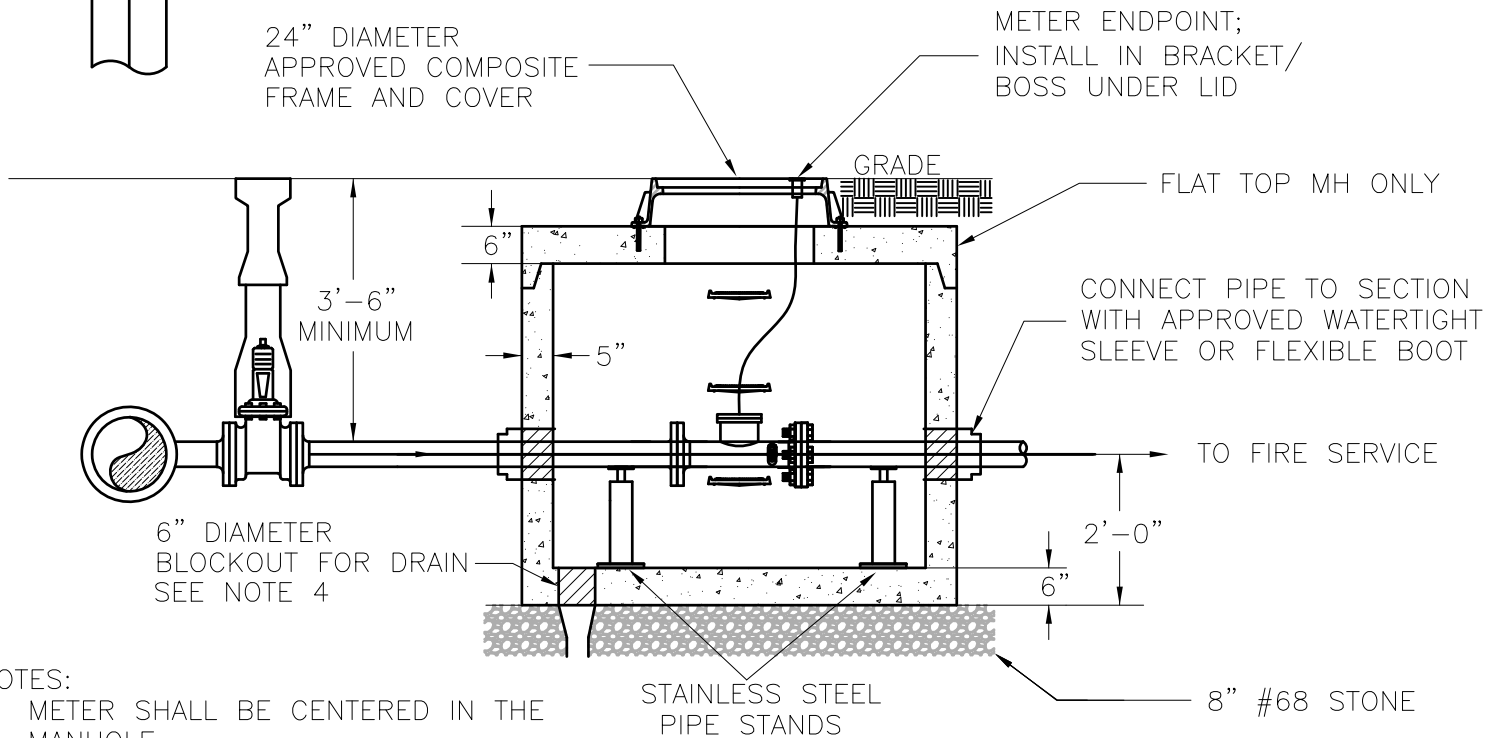


PLAN VIEW



PROFILE VIEW

NOTES:

1. METER SHALL BE CENTERED IN THE MANHOLE.
2. SEAL UNDER FRAME AND ALL JOINTS WITH 2 RINGS OF BUTYL RUBBER ROPE OR O-RING SEAL.
3. FRAME AND COVER (LABELED WATER) SHALL BE BOLTED TO THE MANHOLE USING ZINC COATED $\frac{3}{4}$ " WEDGE ANCHORS OR ZINC COATED FLUSH DROP IN STYLE ANCHORS WITH $\frac{3}{4}$ " STAINLESS STEEL ALL THREAD.
4. WHEN POSSIBLE, PIPE TO ATMOSPHERE—4" SCH 40 PVC PIPE. CHECK WITH ACSA ABOUT DRAIN PIPE LOCATION AND CONFIGURATION BEFORE CORING OUT THE BLOCKOUT. NOTIFY ACSA ENGINEERING DEPT. IN AREAS OF HIGH WATER TABLE.
5. SUBMITTALS MUST BE APPROVED BY THE ACSA BEFORE THE VAULT IS ORDERED.

**AUGUSTA COUNTY SERVICE AUTHORITY
VERONA, VIRGINIA**

SCALE: NTS

DRAWN BY: ACSA

DATE: AUGUST 2020

REVISED: APRIL 2021

**TYPICAL VAULT FOR FIRE LINE
METERS - 5' DIAMETER MANHOLE**

DRAWING NUMBER W-10B

PAGE: 1 OF 1