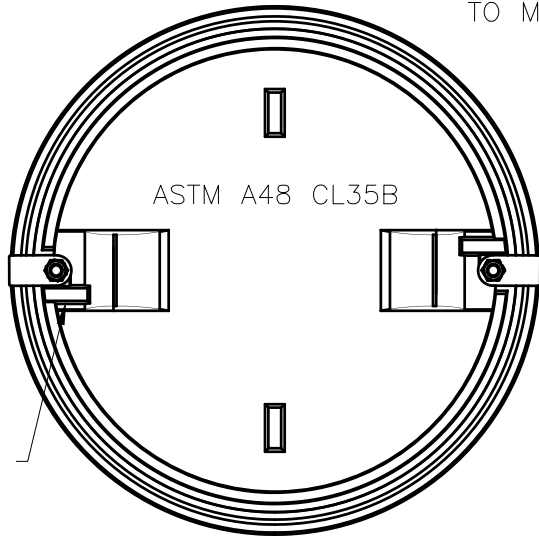
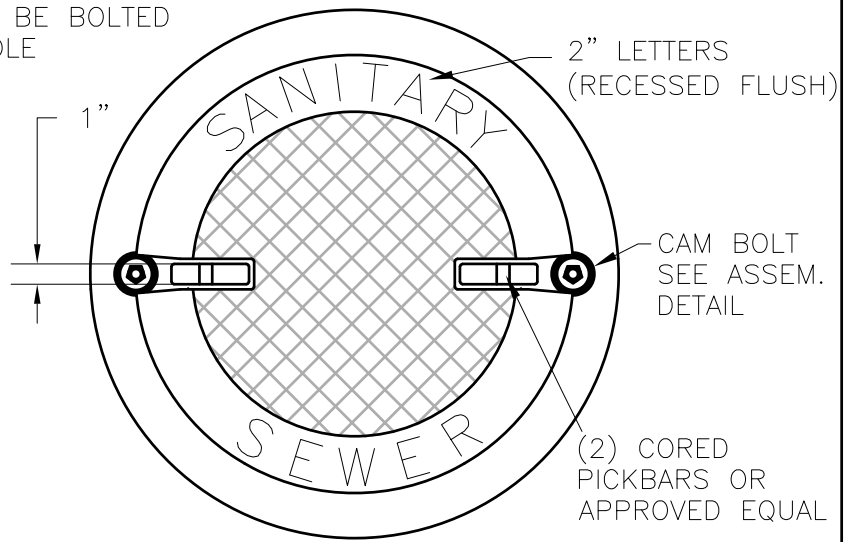


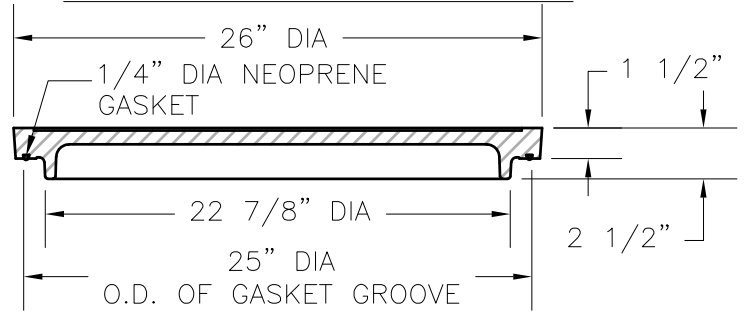
FRAME TO BE BOLTED TO MANHOLE



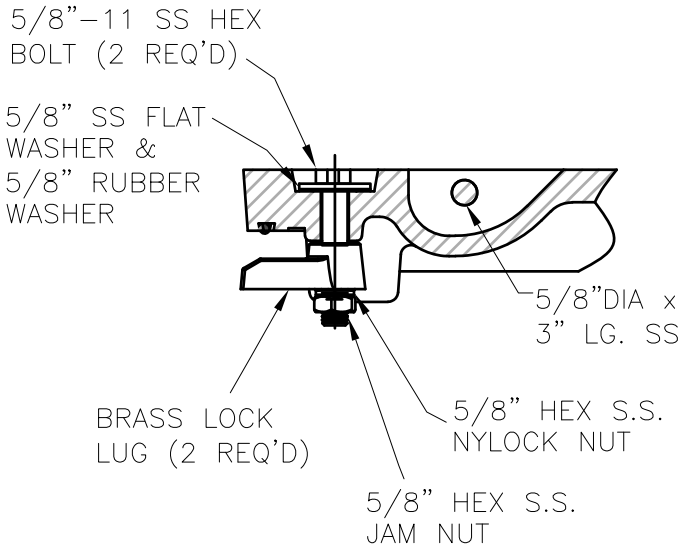
BOTTOM OF COVER



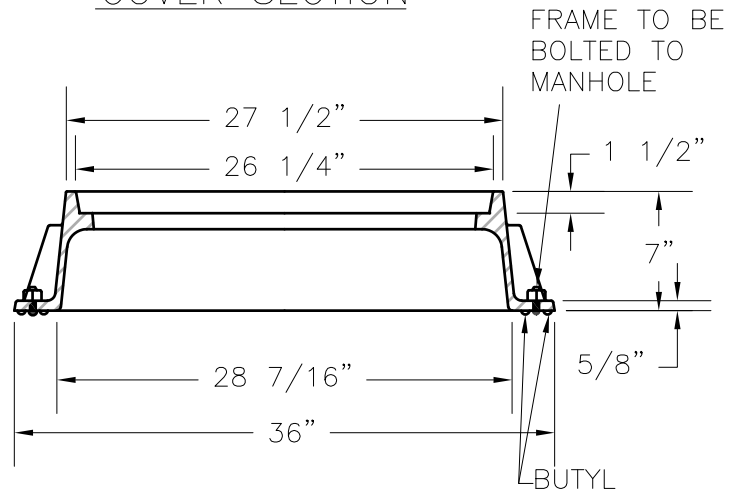
TOP OF FRAME & COVER



COVER SECTION



GASKET GROOVE, LOCKING LUG & PICKBAR DETAIL



FRAME SECTION

**AUGUSTA COUNTY SERVICE AUTHORITY
VERONA, VIRGINIA**

SCALE: NTS

DRAWN BY: ACSA

DATE: FEB. 1996

REVISED: APRIL 2021

**TYPICAL WATER-TIGHT MANHOLE
FRAME & COVER**

DRAWING NUMBER: S-7A

PAGE: 1 OF 1