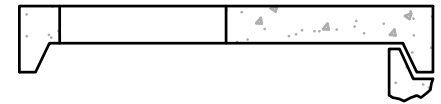
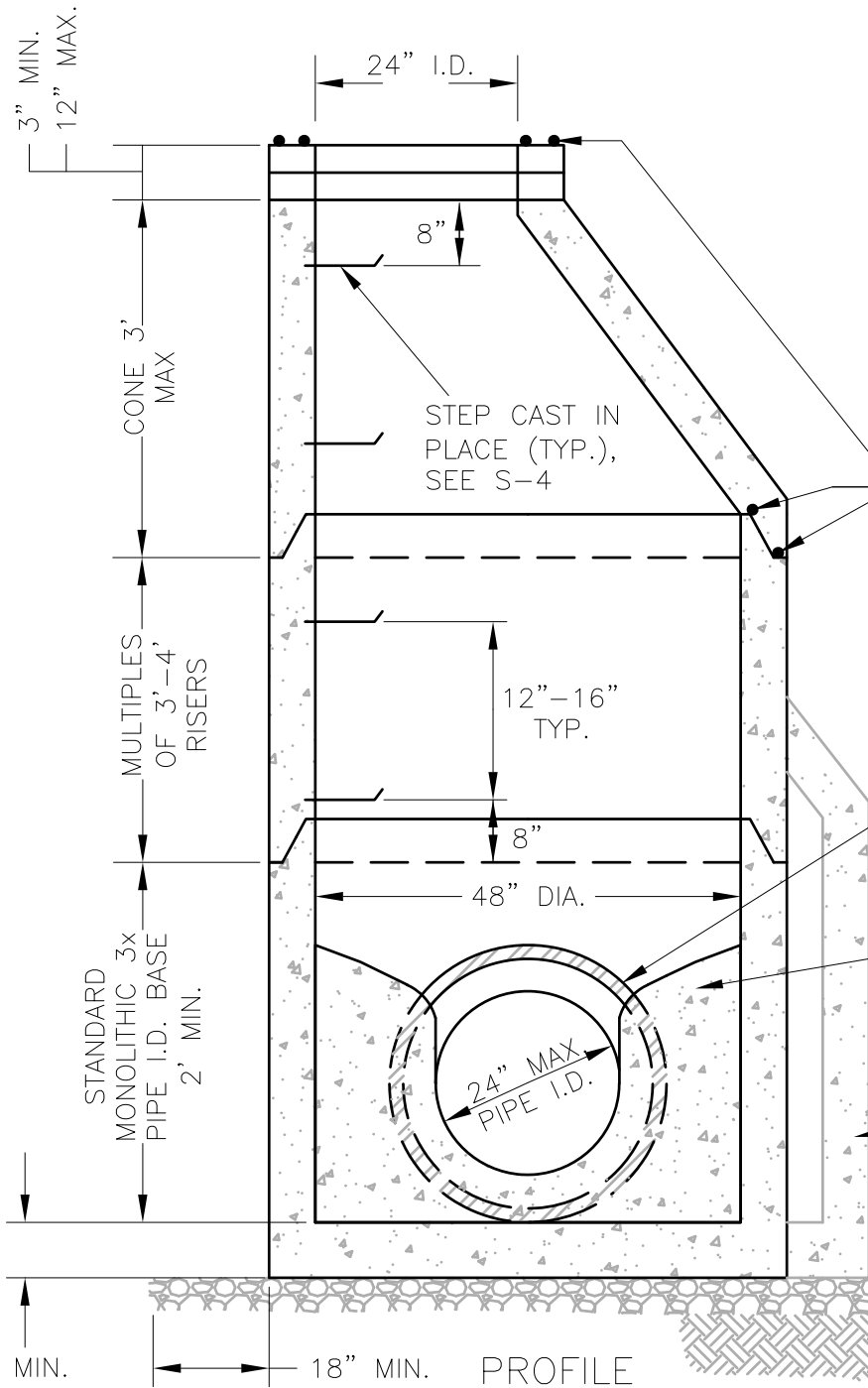


FRAME AND COVER SHALL BE BOLTED TO THE MANHOLE USING ZINC COATED $\frac{3}{4}$ " WEDGE ANCHORS OR ZINC COATED FLUSH DROP IN STYLE ANCHORS WITH $\frac{3}{4}$ " STAINLESS STEEL ALL-THREAD

FLAT TOP SHALL BE TRAFFIC RATED (H20)



ALT. TOP FOR SHALLOW MANHOLES (FLATTOP)



SEAL UNDER FRAME AND ALL JOINTS WITH 2 RINGS OF BUTYL RUBBER ROPE OR O-RING SEALER. ALL EXTERIOR JOINTS SHALL BE WRAPPED WITH A 6" (MIN.) WIDE WRAP IN ACCORDANCE WITH APPROVED PRODUCTS LIST AND MANUFACTURER'S REQUIREMENTS

FLEXIBLE BOOT (SEE NOTE 2)

BENCH FROM CROWN OF PIPE TO WALL @ 2"-4"/FT. SLOPE WITH 2500 PSI CONCRETE

5' DIA. MANHOLE FOR PIPES 27"-36" DIAMETER OR AS REQUIRED.

8" MIN. THICK BED OF #68 STONE

UNDISTURBED, SUITABLE SOIL

6" MIN. (8" FOR 5' DIA. SECTION)

18" MIN. PROFILE

NOTES:

1. CONE SHALL BE OF THE ECCENTRIC TYPE.
2. CONNECT PIPE TO SECTION WITH APPROVED FLEXIBLE WATER-TIGHT BOOT & SS CLAMP INSTALLED PER MANUFACTURER'S REQUIREMENTS.
3. SUBMITTALS MUST BE APPROVED BY THE ACSA BEFORE STRUCTURES ARE ORDERED.

AUGUSTA COUNTY SERVICE AUTHORITY
VERONA, VIRGINIA

SCALE: NTS

DRAWN BY: ACSA

DATE: FEB. 1996

REVISED: APRIL 2021

TYPICAL SANITARY SEWER MANHOLE

DRAWING NUMBER: S-3

PAGE: 1 OF 1