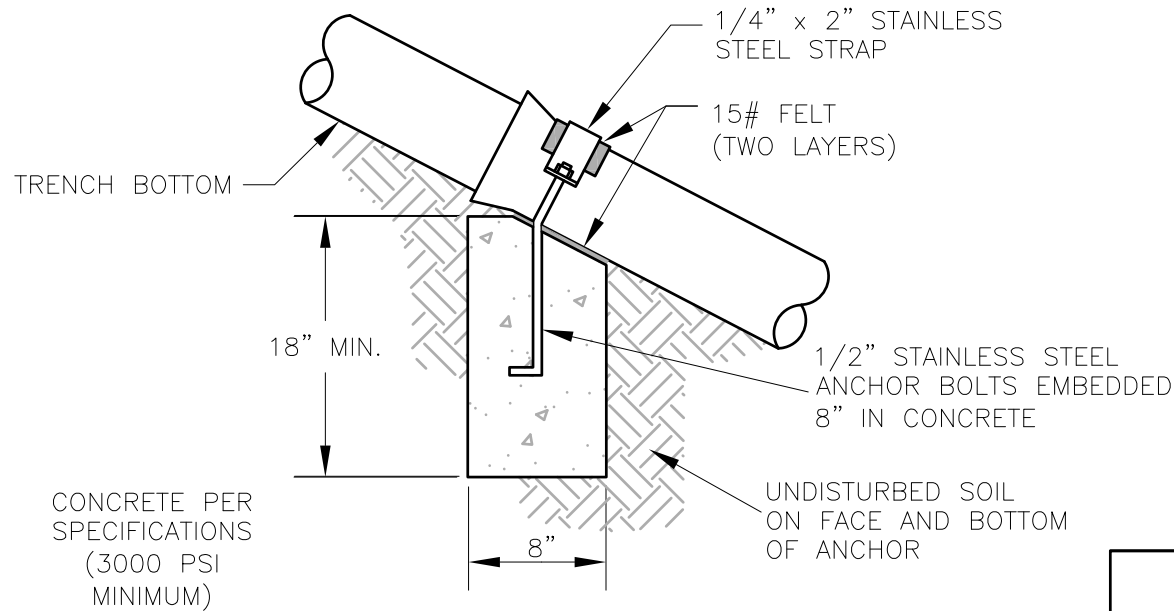


PROFILE



PIPE SLOPE (%)	MAXIMUM ANCHOR SPACING
20% TO 40%	EVERY THIRD BELL
>40% TO 60%	EVERY SECOND BELL
>60% OR HIGHER	EVERY BELL

ADDITIONAL ANCHORS MAY BE REQUIRED IF SHOWN ON THE PLANS.

**AUGUSTA COUNTY SERVICE AUTHORITY  
VERONA, VIRGINIA**

SCALE: NTS

DRAWN BY: ACSA

DATE: AUG. 2004

REVISED: MAR. 2021

**TYPICAL RESTRAINT DETAIL  
FOR SLOPES OVER 20%**

DRAWING NUMBER: G-5

PAGE: 1 OF 1