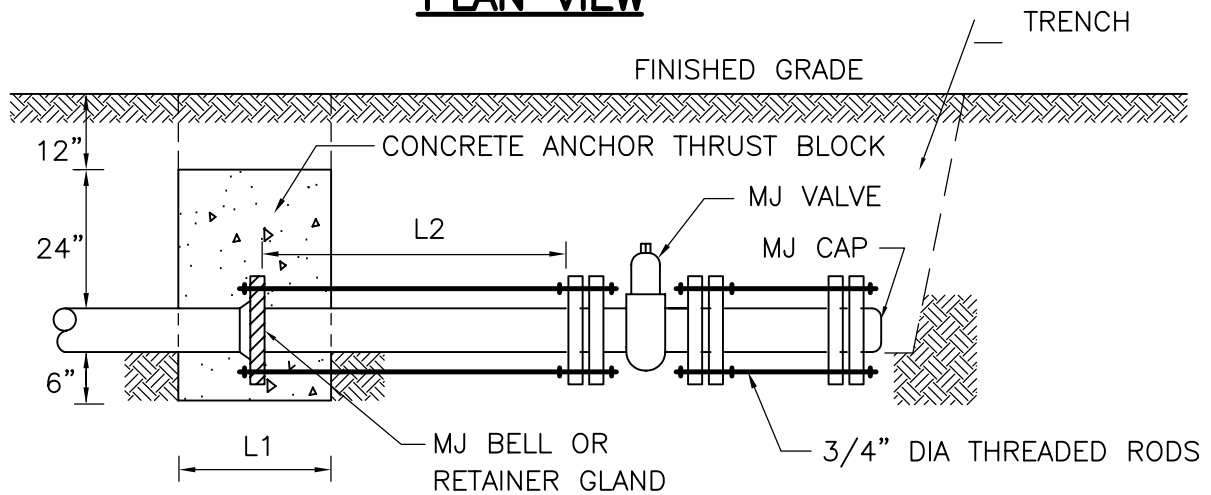


PLAN VIEW



SECTION VIEW

PIPE DIAMETER (in)	B min (in)	L1 min (in)	NUMBER OF RODS PER RETAINER	L2 min (in)
4-8	12	18	4	27
10-12	27	33	6	50
14-16	44	50	8	75

RETAINER GLAND FOR PVC PIPE SHALL BE SERIES 2000 PV, AND FOR DIP PIPE SERIES 100, BY EBAA IRON SALES, INC. "MEGA-LUG" OR APPROVED EQUAL

NOTE: FOR USE WITH TEST OR WORKING PRESSURES LESS THAN 200 PSI.

**AUGUSTA COUNTY SERVICE AUTHORITY
VERONA, VIRGINIA**

SCALE: NONE

DRAWN BY:

DATE:

DATE:

WATERLINE BULKHEAD ANCHOR DETAIL

DRAWING NUMBER: W-16

PAGE: 1 OF 1