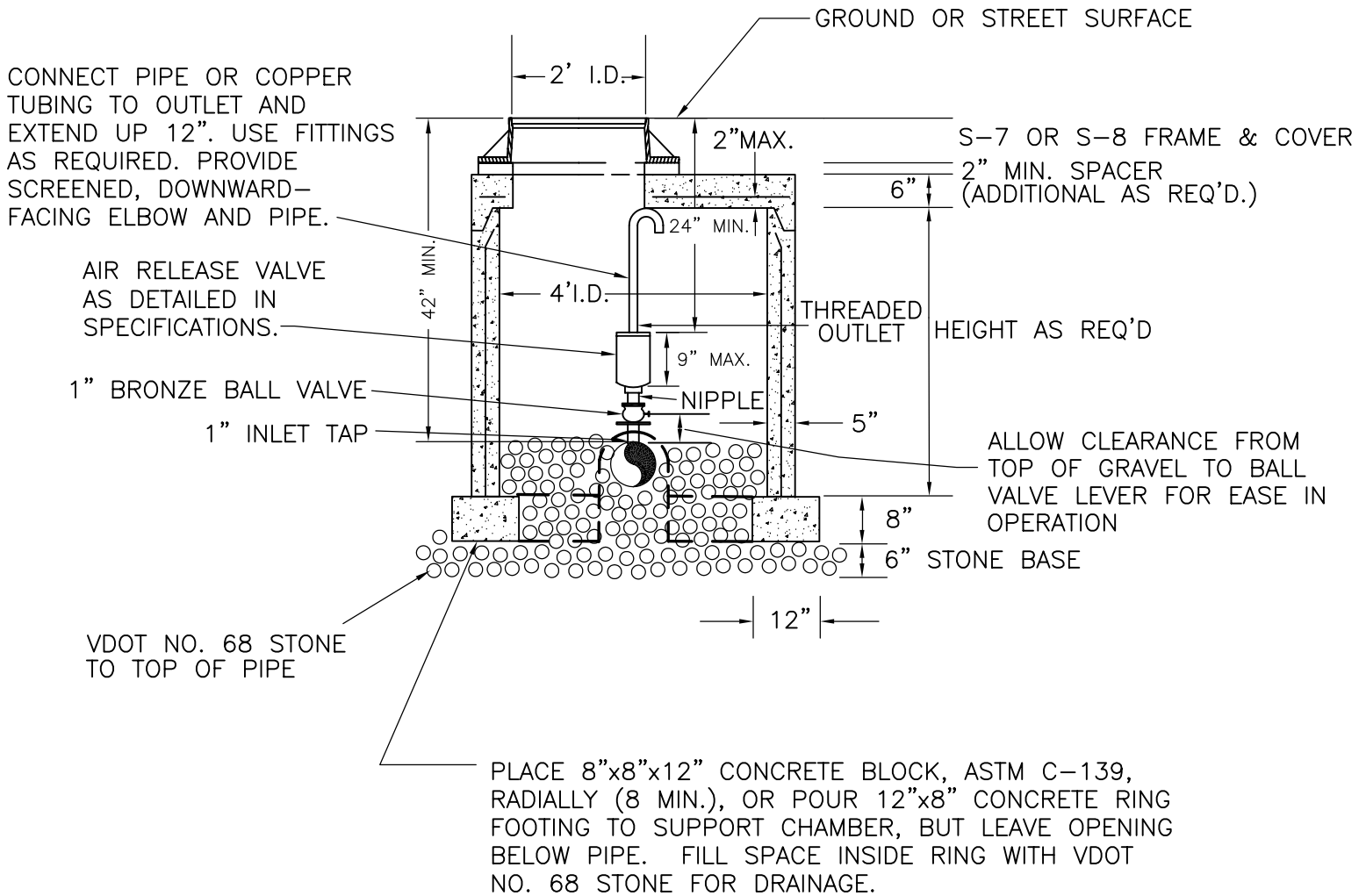


- NOTES: 1. MATERIALS AND FABRICATION IN ACCORDANCE WITH S-5 MANHOLE.  
 2. SIZE OF AIR RELEASE VALVE AND ORIFICE AS SPECIFIED.  
 3. WHERE NOTED ON PLANS, USE APPROVED METER BOX AS CHAMBER AND SUPPORT WITH TWO (2) COURSES OF BRICK.  
 4. THIS DETAIL SHALL NOT BE USED IN AREAS OF HIGH GROUNDWATER. SHOULD EVIDENCE OF HIGH GROUNDWATER BE FOUND DURING CONSTRUCTION, ENGINEER SHALL BE NOTIFIED FOR MODIFICATIONS.



**AUGUSTA COUNTY SERVICE AUTHORITY  
 VERONA, VIRGINIA**

SCALE: NONE

DRAWN BY:

DATE:

DATE:

**TYPICAL AIR RELEASE VALVE INSTALLATION**