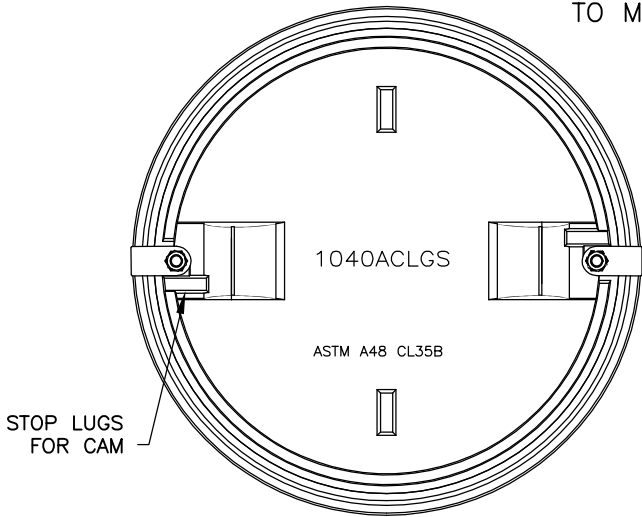
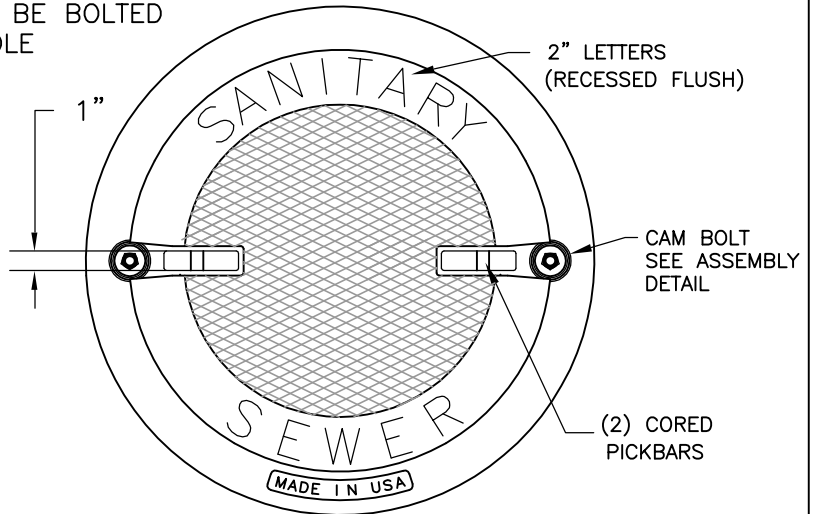


FRAME TO BE BOLTED TO MANHOLE

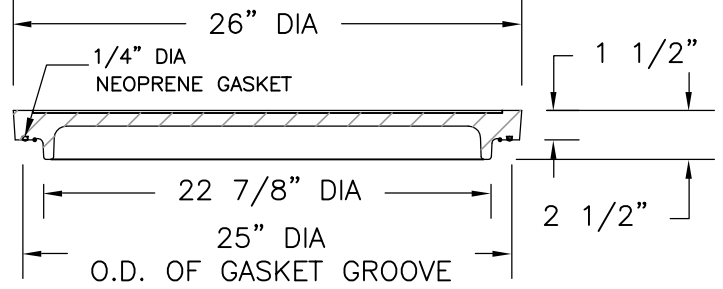


BOTTOM OF COVER

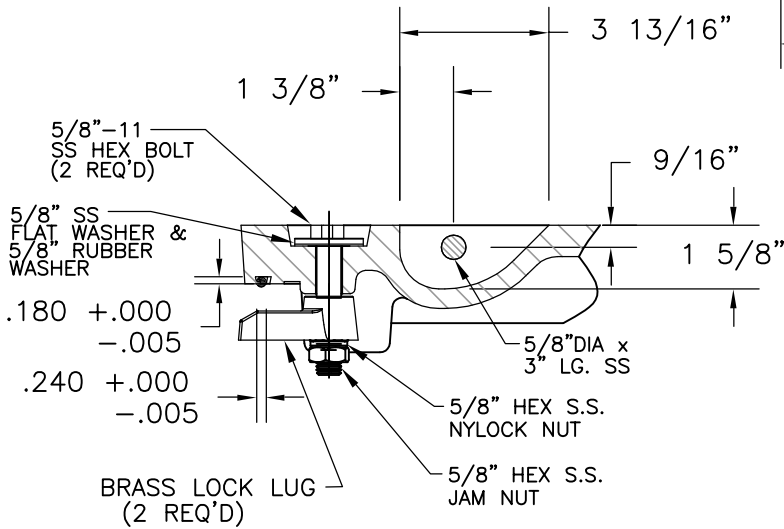
ESTIMATED WEIGHT:
 FRAME: 165 LBS
 COVER: 150 LBS



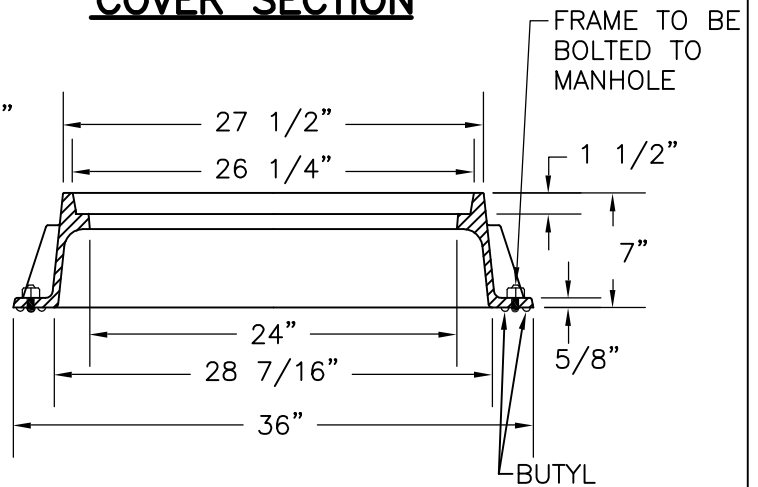
TOP OF FRAME & COVER



COVER SECTION



GASKET GROOVE & PICKBAR DETAIL



FRAME SECTION

AUGUSTA COUNTY SERVICE AUTHORITY
 VERONA, VIRGINIA

SCALE: NONE

DRAWN BY:

DATE: FEB. 1996

REVISED: NOV. 2004

TYPICAL WATER-TIGHT MANHOLE
 FRAME & COVER

DRAWING NUMBER: S-8

PAGE: 1 OF 1