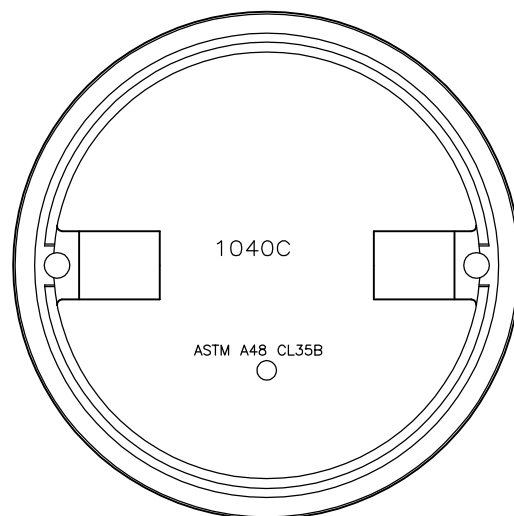
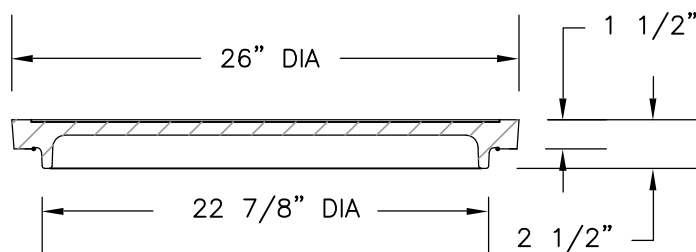


**TOP OF FRAME & COVER**

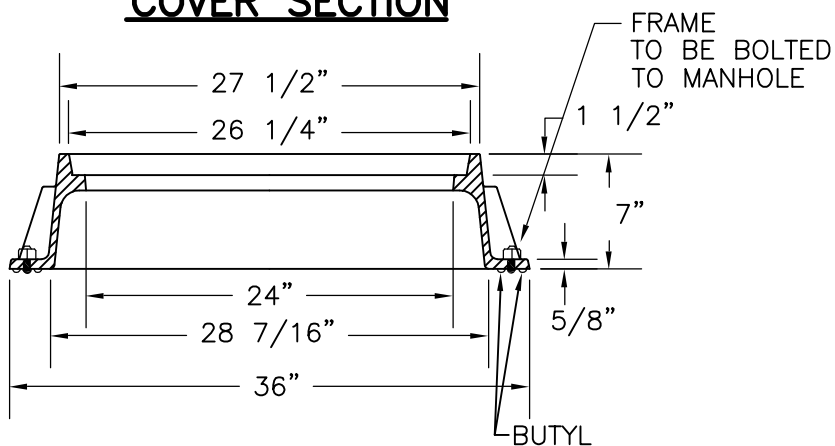


**BOTTOM OF FRAME & COVER**

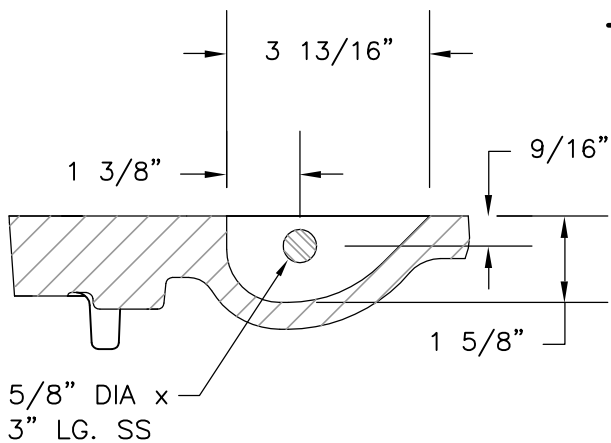
APPROXIMATE WEIGHT  
 CAST IRON  
 FRAME: 165 LBS.  
 COVER: 150 LBS.



**COVER SECTION**



**FRAME SECTION**



**PICKBAR DETAIL**

AUGUSTA COUNTY SERVICE AUTHORITY  
 VERONA, VIRGINIA

SCALE: NONE

DRAWN BY:

DATE: MAR. 1996

REVISED: AUG. 2004

TYPICAL MANHOLE RING & COVER

DRAWING NUMBER: S-7

PAGE: 1 OF 1