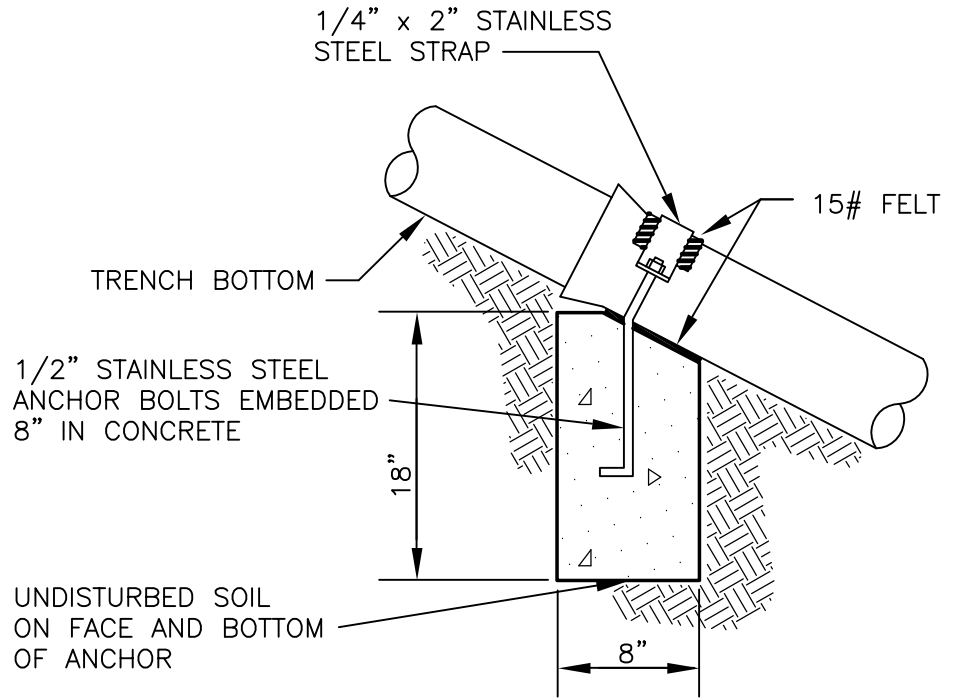


**PLAN**

CONCRETE ANCHOR  
LOCATED AT PIPE BELL  
(MAY BE PRECAST)



**ELEVATION**

CONCRETE PER  
SPECIFICATIONS  
(3000 PSI MINIMUM)

PIPE SLOPE (%)	MAXIMUM ANCHOR SPACING (FEET)	
	GRAVITY SEWER	FORCE MAIN OR WATER LINE
20% TO 40%	EVERY THIRD BELL	EVERY BELL
>40% TO 60%	EVERY SECOND BELL	EVERY BELL
>60% TO 80%	EVERY BELL	EVERY BELL
>80% TO 100%	EVERY BELL	EVERY BELL
>100%	EVERY BELL	EVERY BELL

ADDITIONAL ANCHORS MAY BE REQUIRED IF SHOWN ON THE PLANS.

AUGUSTA COUNTY SERVICE AUTHORITY  
VERONA, VIRGINIA

SCALE: NONE

DRAWN BY:

DATE: FEB. 1996

REVISED: AUG. 2004

TYPICAL ANCHOR DETAILS FOR  
PIPES ON GRADES OVER 20%

DRAWING NUMBER: S-2

PAGE: 1 OF 1