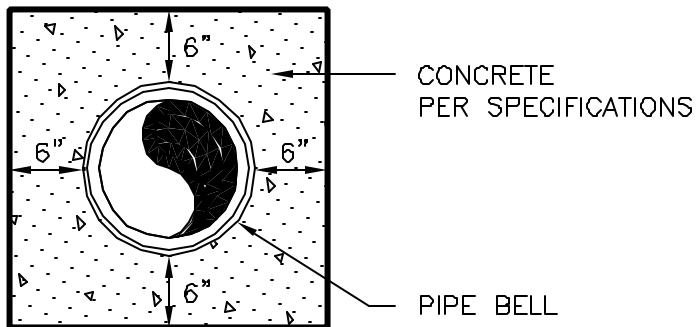


PROFILE



AUGUSTA COUNTY SERVICE AUTHORITY
VERONA, VIRGINIA

SCALE: NONE

DRAWN BY:

DATE: AUG. 2004

REVISED:

TYPICAL CONCRETE ENCASEMENT

DRAWING NUMBER: G-6

PAGE: 1 OF 1