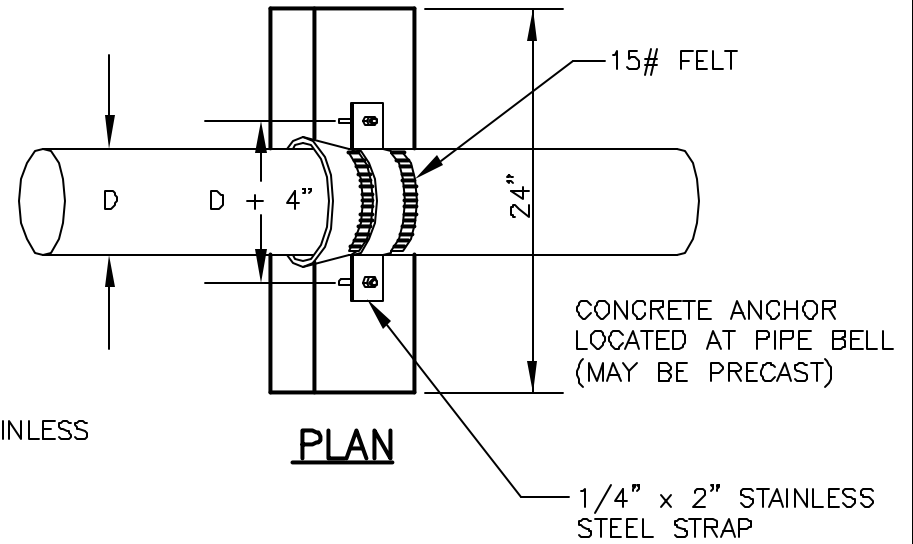
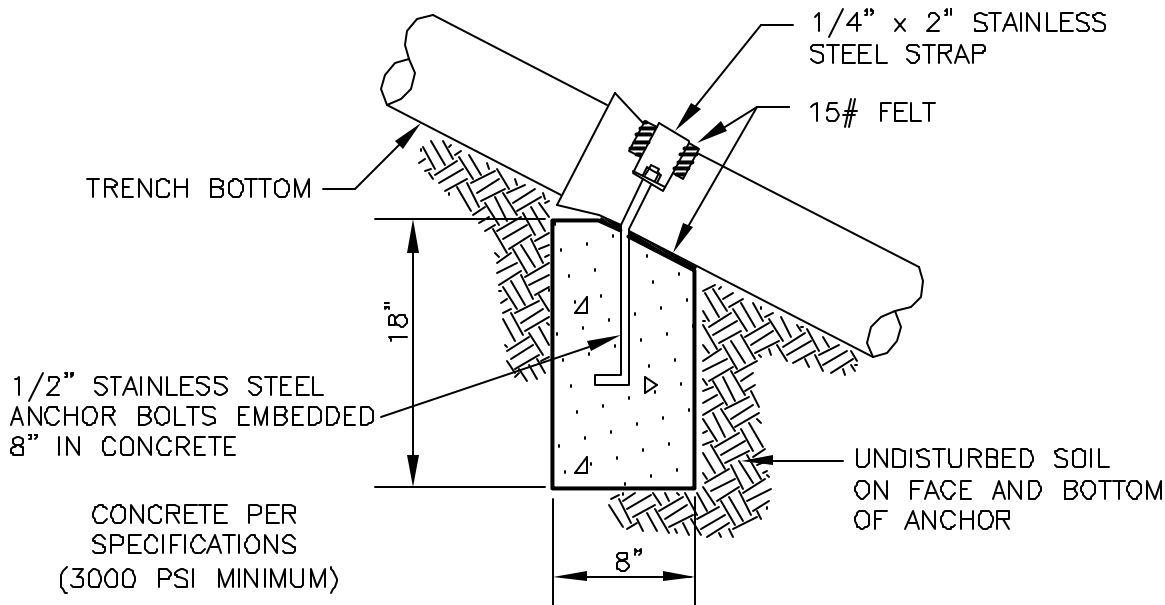


ELEVATION



PLAN

PIPE SLOPE (%)	MAXIMUM ANCHOR SPACING (FEET)	
	GRAVITY SEWER	FORCE MAIN OR WATER LINE
20% TO 40%	EVERY THIRD BELL	EVERY BELL
>40% TO 60%	EVERY SECOND BELL	EVERY BELL
>60% TO 80%	EVERY BELL	EVERY BELL
>80% TO 100%	EVERY BELL	EVERY BELL
>100%	EVERY BELL	EVERY BELL

ADDITIONAL ANCHORS MAY BE REQUIRED IF SHOWN ON THE PLANS.

AUGUSTA COUNTY SERVICE AUTHORITY
VERONA, VIRGINIA

SCALE: NONE DRAWN BY:

DATE: AUG. 2004 REVISED:

**TYPICAL CONCRETE ANCHOR DETAIL
FOR SLOPES OVER 20%**